

IOWA COUNTY SECONDARY ROAD DEPARTMENT CATTLE GUARD PERMIT

I, _____, being the owner or agent for the owner, of a parcel of property, request permission to construct a cattle guard in Iowa County right-of-way. The cattle guard is located as follows:

In signing and accepting this Cattle Guard Permit, I agree I have read and shall install and maintain the cattle guard according to Iowa County Ordinance No. 35 and Iowa Code 314.30 Cattle Guards.

The applicant must make an appointment with the Engineer's Office at (319) 642-3721 during normal business hours to review the site. Please mark the center of the requested entrance with a flag for Iowa Co. Inspector.

Not conforming or acquiring a permit is a violation of section 318 of the Iowa Code. Permit is valid for one year from issuance. Permit fee is paid non-refundable and paid at time of permit submittal.

***** Proof of Liability Insurance must be submitted before July 1 of EACH YEAR *****

Road Name: _____

Road Info: _____ Section _____ Township _____ Range

Owner (Print): _____

Phone: (____) _____

Mailing Address: _____

Contractor to install cattle guard: _____

Signature of Applicant: _____ Date: _____

Permit Fee of \$50: _____ Paid

Late Start Date: _____ (After 15 working days liquated damages are \$200/day)

For Engineer's Office Use Only

The following requirements must be met per Iowa Code 314.30

- Road is Level B Service.
- Landowner owns land on both sides.
- Road terminates at a dead end.
- Road is completely or partially located in flood plain.
- Cattle guard is located more than 66 ft from the nearest intersection.

**IOWA COUNTY SECONDARY ROAD DEPARTMENT
CATTLE GUARD PERMIT (cont.)**

For Engineer's Office Use Only

Pre-Installation Site Inspection

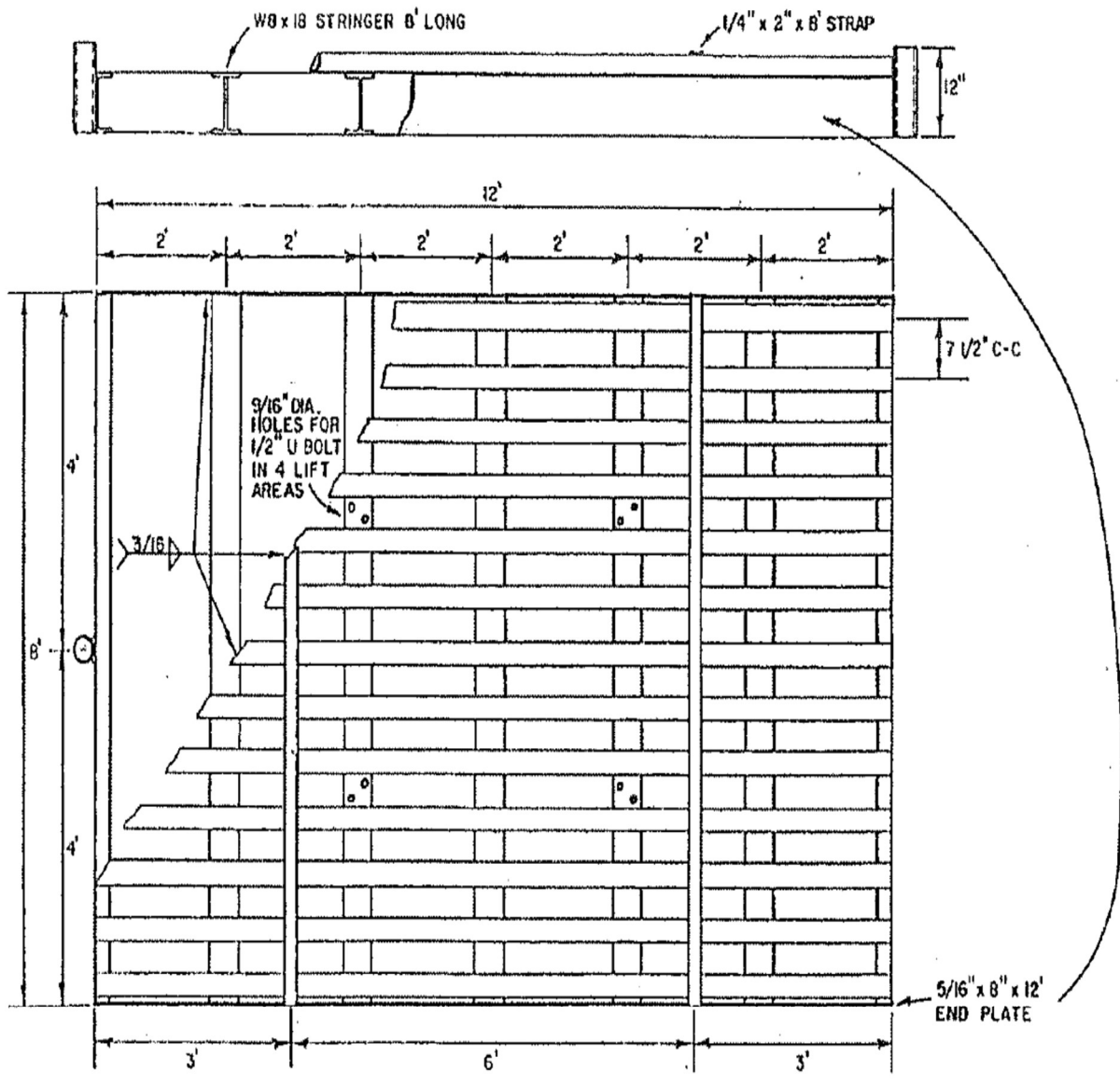
- Approve Cattle Crossing Permit
- Deny Cattle Crossing Permit Reasoning if Denied: _____

X: _____ (Iowa Co. Inspector)

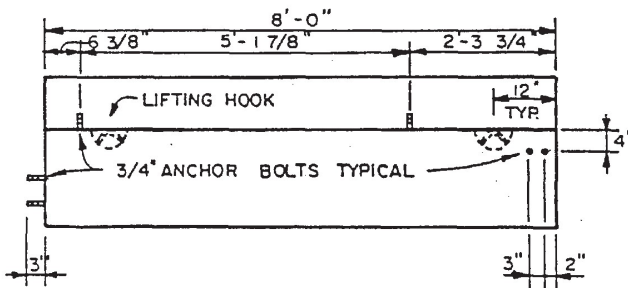
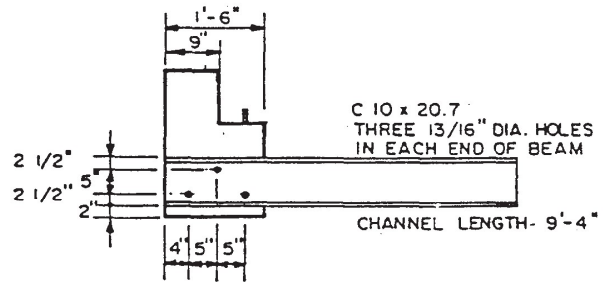
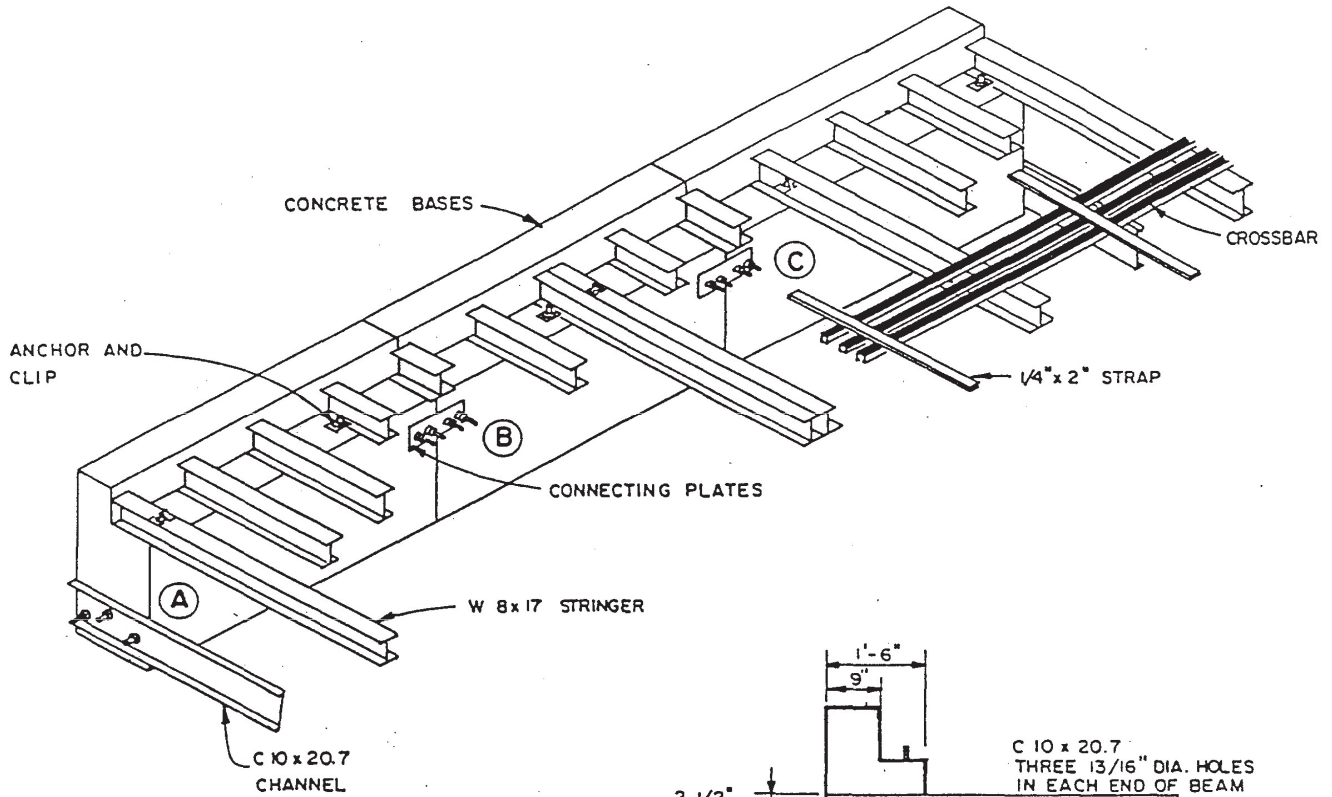
Post-Installation Site Inspection

- Approve Cattle Crossing Final Installation
- Deny Cattle Crossing Final Installation Reasoning if Denied: _____

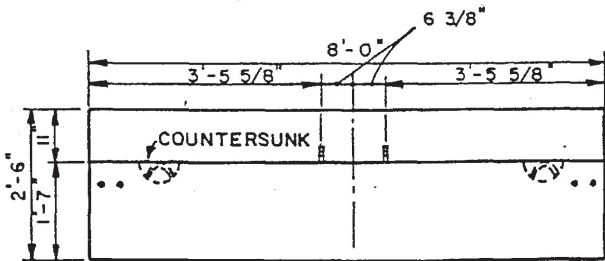
X: _____ (Iowa Co. Inspector)



⊥
 Road

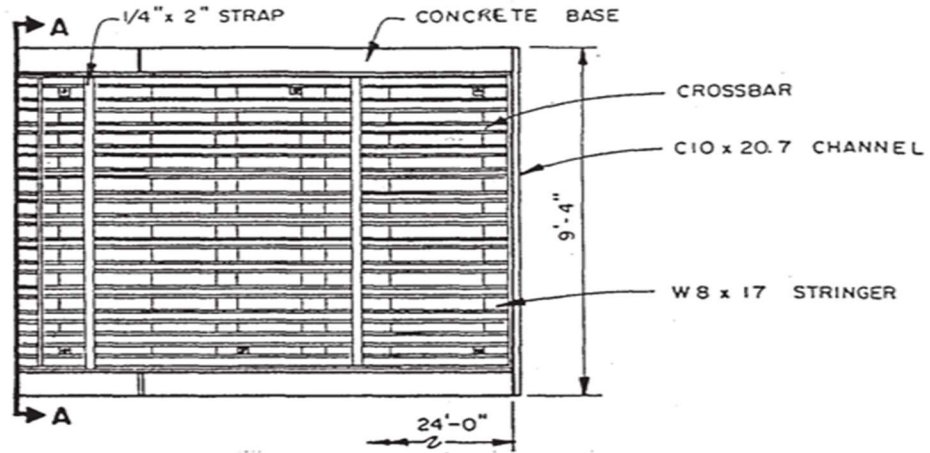


TYPICAL FOR BASE A & C
ALL CONNECTIONS

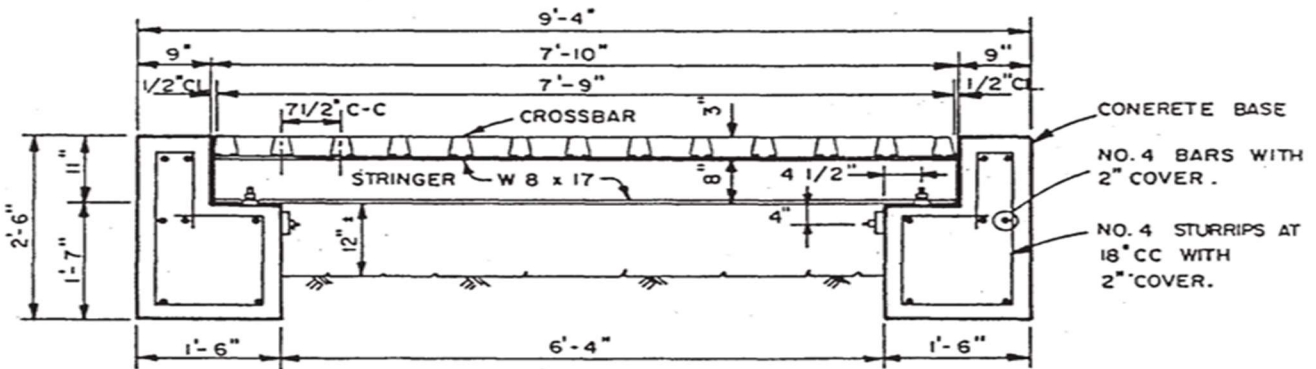


BASE B

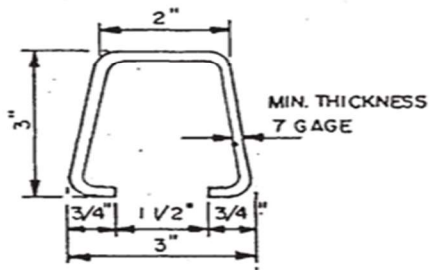
NOTE: OPPOSITE HAND BOLTING PATTERN FOR SECTION A & C RESPECTIVELY.



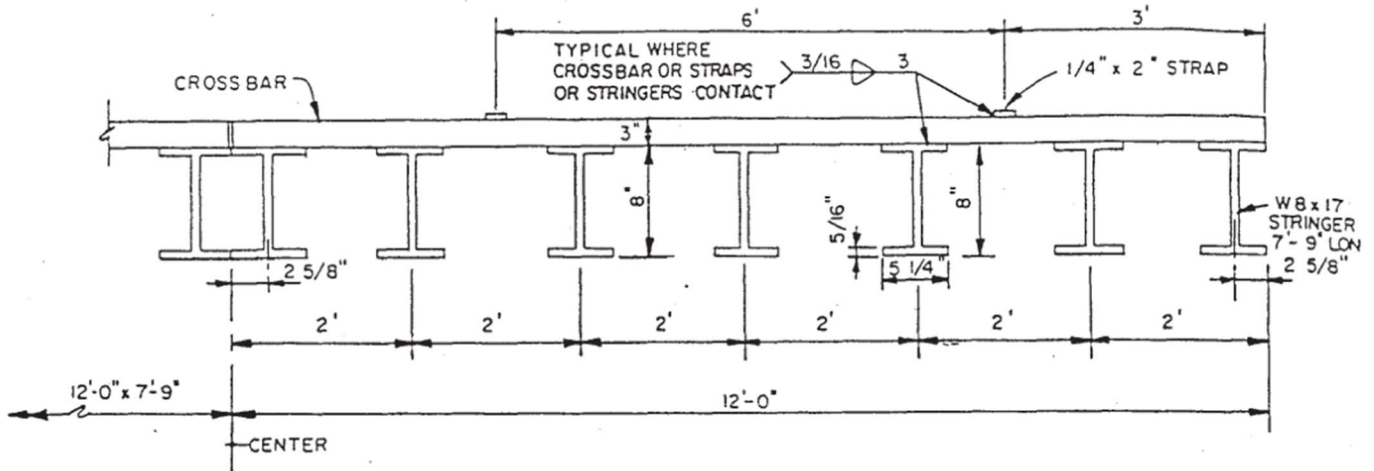
PLAN VIEW



SECTION A-A



CROSSBAR DETAIL



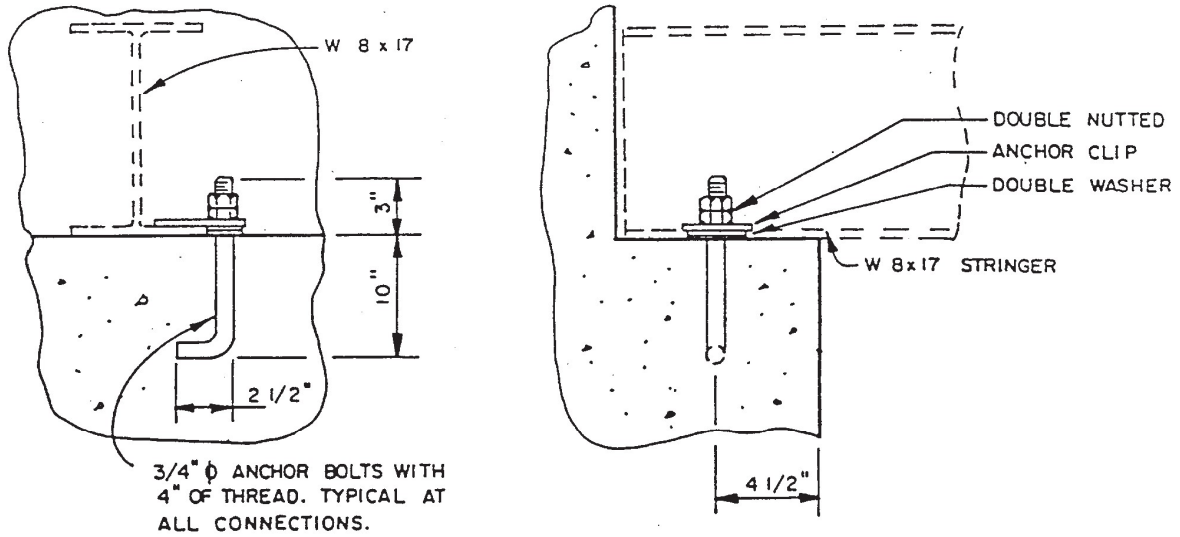
STRINGER SPACING DETAIL

SUPER-STRUCTURE

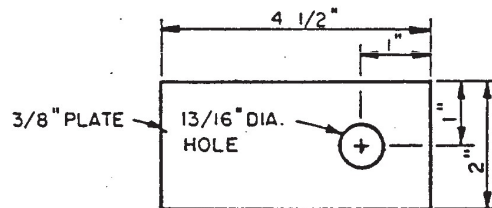
GENERAL NOTES:

SUPER STRUCTURE TO BE SUPPLIED IN TWO SEPERATE 12'-0" BY 7'-9" UNITS. ALL CONCRETE REINFORCING BARS TO BE CONTINUOUS. NO SPLICING OR LAPPING IS ALLOWED.

ALL BOLTED CONNECTIONS ARE TO BE DOUBLE NUTTED. ALL ANCHOR BOLTS, NUTS, WASHERS AND CLIPS ARE TO BE GALVANIZED.



ANCHOR DETAIL



ANCHOR CLIP DETAIL

